

CP SERIES™ 50 HZ

COMMERCIAL CAST IRON PUMPS
WITHOUT HAIR AND LINT STRAINER



FEATURED HIGHLIGHTS

- Motor CE approved, TEFC, IP55, 50Hz, 1450 RPM.
- From 20HP up to 50HP, shipped without pre-filter (can be ordered separately).
- Pump and strainer are epoxy coated to provide additional performance and corrosion resistance.
- Enclosed stainless steel impeller (SS304).
- Pre-filter has a see-through lid, air relief and drain for easy maintenance.
- Stainless Steel basket (SS304).
- Impeller (SS316) can be made in 316SS on request.

Commercial Cast Iron pump, especially designed for competition and public swimming pools, aquatic facilities, water parks and water features.

ORDERING INFORMATION

Product	Voltage	HP	KW	Phase	Insulation Class	IP rating	Primary Listings and Certifications	Weight	BOX Dimensions
---------	---------	----	----	-------	------------------	-----------	-------------------------------------	--------	----------------

CP - Series Cast Iron Coated Commercial Pumps without Prefilter (1450 RPM) - 50 Hz

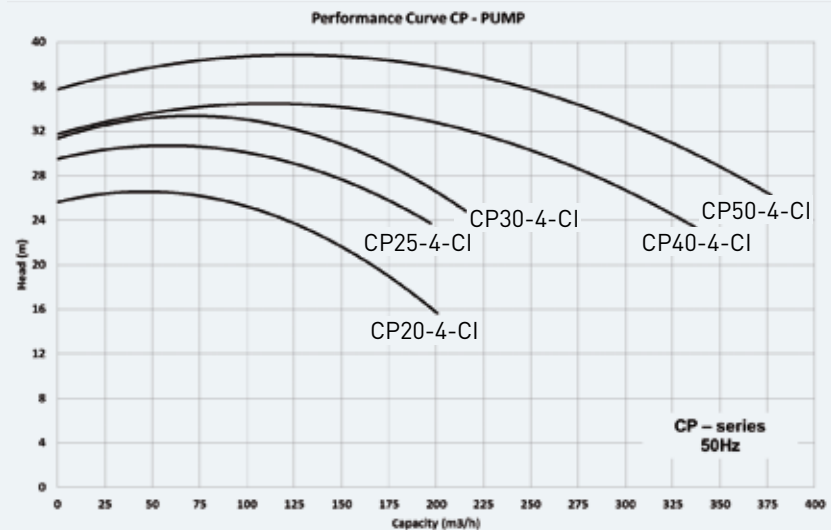
CP20-4-CI	380 V	20.00 HP	15.00 KW	3~	F	IP 55	Motor = CE	424 Kg	1610 x 720 x 950mm
CP25-4-CI	380 V	25.00 HP	18.50 KW	3~	F	IP 55	Motor = CE	473 Kg	1650 x 760 x 1060mm
CP30-4-CI	380 V	30.00 HP	22.00 KW	3~	F	IP 55	Motor = CE	487 Kg	1850 x 760 x 1060mm
CP40-4-CI	380 V	40.00 HP	30.00 KW	3~	F	IP 55	Motor = CE	620 Kg	1880 x 800 x 1100mm
CP50-4-CI	380 V	50.00 HP	37.00 KW	3~	F	IP 55	Motor = CE	692 Kg	1880 x 800 x 1100mm

Product	Suction (mm)	Discharge (mm)	Weight	Pumps
---------	--------------	----------------	--------	-------

Cast Iron Pre-Filter

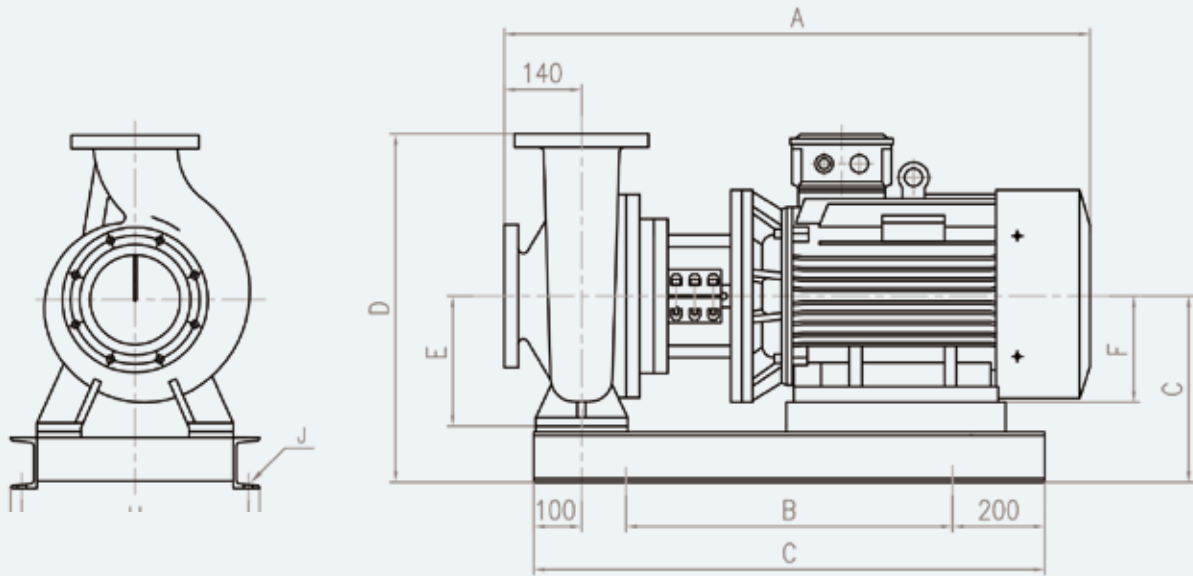
151001	100	80	35 Kg	CP20, CP25, CP30
151002	125	100	40 Kg	CP20, CP25, CP30
151003	150	125	50 Kg	CP40, CP50
151004	200	150	100 Kg	CP40, CP50

DIMENSIONS AND PERFORMANCE



CP SERIES™ 50 HZ (CONT'D)

COMMERCIAL CAST IRON PUMPS
WITHOUT HAIR AND LINT STRAINER

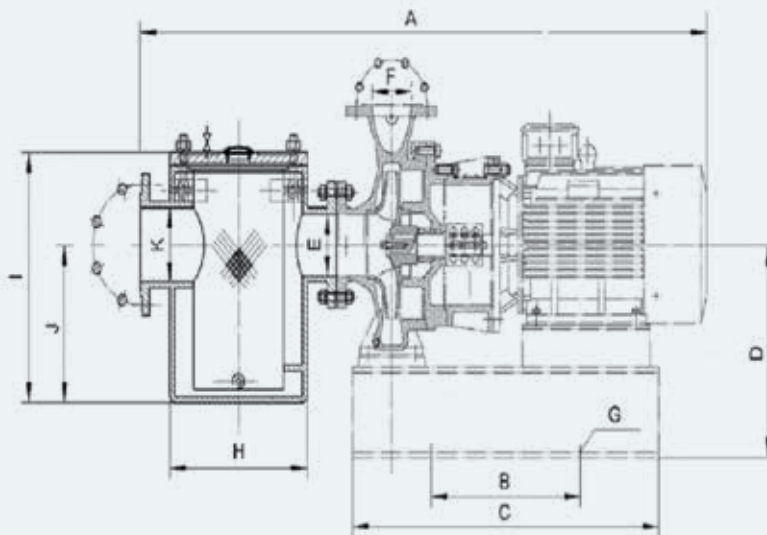


COMMERCIAL
PUMPS
50 HZ

CP Pumps without pre-filter

CP type	Power	Speed	A	B	C	D	E	F	G	H	I	J	Inlet Flange	Discharge Flange
CP20-4-CI	15	1450	982	380	942	705	225	160	425	480	540	4-Ø19	DN125	DN100
CP25-4-CI	18,5	1450	1020	420	820	795	250	180	450	480	540	4-Ø24	DN125	DN100
CP30-4-CI	22	1450	1160	420	820	795	250	180	450	480	540	4-Ø24	DN125	DN100
CP40-4-CI	30	1450	1140	550	950	835	280	200	480	580	640	4-Ø24	DN150	DN125
CP50-4-CI	37	1450	1140	550	950	835	280	225	480	580	640	4-Ø24	DN150	DN125

All dimensions shown in millimeters.



CP Pump with pre-filter

CP type	Strainer	Power	Speed	A	B	C	D	E	F	G	H	I	J	K
CP20-4-CI	150-125	15	1450	1429	380	942	705	125	100	4-Ø19	310	385	156	150
CP25-4-CI	150-125	18,5	1450	1467	420	820	795	125	100	4-Ø24	310	385	156	150
CP30-4-CI	150-125	22	1450	1607	420	820	795	125	100	4-Ø24	310	385	156	150
CP40-4-CI	200-150	30	1450	1653	550	950	835	150	125	4-Ø24	380	465	188	200
CP50-4-CI	200-150	37	1450	1653	550	950	835	150	125	4-Ø24	380	465	188	200

All dimensions shown in millimeters.